

VICTOR FOXTROT

PRICELIST 2024



CONTENT

About	3
SAME SAME table	4 - 6
DOUBLE U chair	7 - 9
SWELL TIME arm chair	10 - 12
MY AMI sideboard	13
POI console	14
POI TABLE sidetable	15 - 18
LESS MESS wardrobe	19
ALL ROUND lamp	20
ZIG ZAG hanging lamp	21
LEAF IT hanging lamp	22
POI trays and leather inlays	23 - 24
Colours and surfaces	25 - 26
Contact	27

VICTOR FOXTROT

Florian Vogel and Carolin Kreidel are the duo behind VICTOR FOXTROT. The brand's continuously growing collection consists of tables, chairs, lamps and accessories that combine a straight language of form and colour. The label was founded in 2015 by Florian Vogel, who previously worked as a designer at Ingo Maurer for several years, where he got to appreciate light as a silent element of the interior but also metal as a material. Carolin Kreidel, a strategist in the luxury fashion industry for 15 years, joined him in 2019. Since then, Florian and Carolin have headed VICTOR FOXTROT together. Their cooperation benefits from not only their personal expertise but also from a broad creative intersection. While Florian is in charge of design, product development and craftsmanship, Carolin develops collections and stories. Both share a passion for colour, clear lines and timeless shapes - and sharpen VICTOR FOXTROT's distinctive profile based on all these parameters.

Philosophy

Elaborate solutions and precise, manual production are VICTOR FOXTROT's core convictions. In addition to the atelier, the studio runs its own metal workshop, which reduces the pathway from idea to prototype to final product to just a few steps. The collection speaks through colour and silhouette, through materials, precision and light. In other words: it's a love of detail turned into an object. Every screw, every joint, every angle and every material contributes to the appeal of the finished object.

Production

Each piece in the collection showcases the handwriting and expertise of the respective trades involved. All metal elements are manufactured on-site at VICTOR FOXTROT in Hamburg. Lampshades, upholstery or wooden parts go through the skilful hands of people who have been as carefully selected as the raw materials themselves. VICTOR FOXTROT likes to stay local. Cooperation with local partners allows for production at short notice and quick reactions. Some pieces are deliberately designed to be scalable in size or customisable in colour.

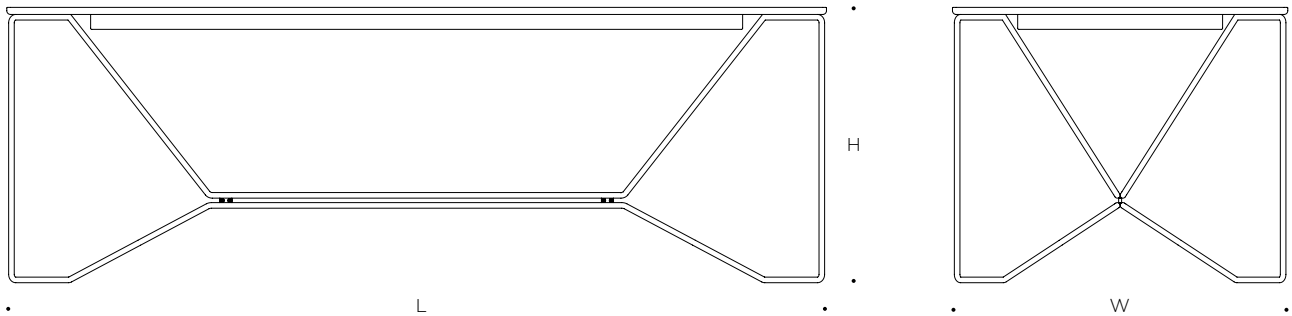
Material & colour

Colour is a guiding principle of the collection. The objects that leave VICTOR FOXTROT's workshop do not subordinate themselves to space and context. Instead, they become protagonists; characters with recognition value, seemingly made of one piece and forming a family within the collection. The resulting portfolio offers a consistency that can only be achieved by everything coming from a single source. This holistic perspective is also reflected in the philosophy: VICTOR FOXTROT accompanies each of its products during their creation and considers their environmental impact in all phases of the product's lifecycle. Green strategies aside, good form is always part of the mission - because the most sustainable objects are always the ones we don't want to live without anymore.

SAME SAME

LINOLEUM

Same same but different. Solid as a rock. Dining table and desk. The delicate steel frame is bent by hand. It consists of two identical parts that reflect each other and are only fastened at two points. The round steel is powder-coated. The tabletop is supported by a steel frame. Particular about the design and construction is that it looks very light but is extremely solid. Designed and manufactured in Hamburg, Germany.



COLOURS

frame:		RAL
blood orange	●	2002
pink	●	3015
yellow	●	1016
off-white	●	7047
sage	●	6021
grass green	●	6024
dark green	●	6009
navy	●	5011
black	●	9005
luminous orange*	●	
table top:		FORBO
grey	●	4175
sage	●	4184
dark green	●	4174
navy	●	4179
black	●	4023

DIMENSIONS

L 160 x W 80 x H 74
L 180 x W 80 x H 74
L 180 x W 90 x H 74
L 200 x W 90 x H 74
L 220 x W 90 x H 74
L 220 x W 100x H 74
L 240 x W 90 x H 74
L 240 x W 100x H 74
L 260 x W 90 x H 74
L 260 x W 100x H 74
L 280 x W 90 x H 74
L 280 x W 100x H 74

RRP INCL. VAT

	3.100
	3.250
	3.450
	3.700
	3.950
	4.200
	4.300
	4.500
	4.600
	4.850
	4.950
	5.200
	5.250
	5.600
	5.950
cable management	250
* luminous orange surcharge	400

MATERIALS

grey and sage linoleum on MDF grey
 dark green, navy and black linoleum on MDF black
 powder coated steel

MADE TO ORDER

In addition to the standard colours and sizes of the collection, custom forms and individual colours can also be manufactured.

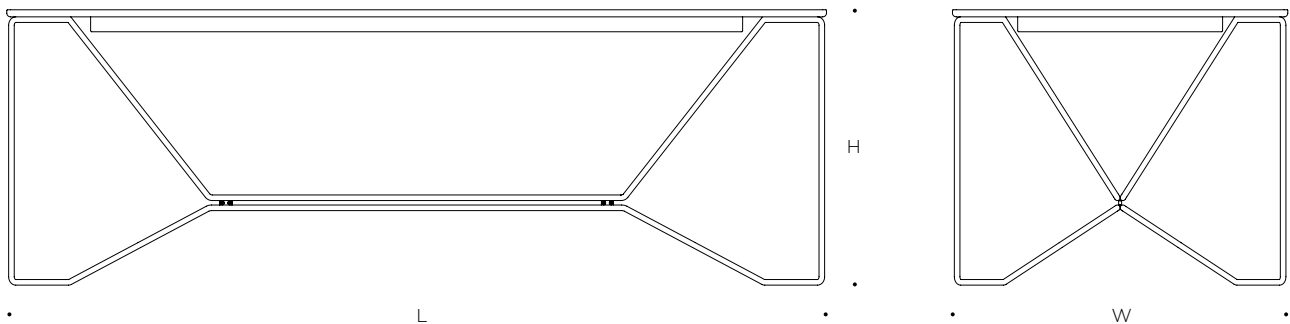
DELIVERY TIME

approx 6 - 8 weeks

SAME SAME

OAK

Same same but different. Solid as a rock. Dining table and desk. The delicate steel frame is bent by hand. It consists of two identical parts that reflect each other and are only fastened at two points. The round steel is powder-coated. The tabletop is supported by a steel frame. Particular about the design and construction is that it looks very light but is extremely solid. Designed and manufactured in Hamburg, Germany.



COLOUR		DIMENSIONS	RRP INCL. VAT
frame:	RAL	L 160 x W 80 x H 74	3.600
blood orange	● 2002	L 180 x W 80 x H 74	3.750
pink	● 3015	L 180 x W 90 x H 74	4.000
yellow	● 1016	L 200 x W 90 x H 74	4.100
off-white	● 7047	L 220 x W 90 x H 74	4.400
sage	● 6021	L 220 x W 100x H 74	4.600
grass green	● 6024	L 240 x W 90 x H 74	4.700
dark green	● 6009	L 240 x W 100x H 74	4.850
navy	● 5011	L 260 x W 90 x H 74	5.150
black	● 9005	L 260 x W 100x H 74	5.300
luminous orange*	●	L 280 x W 90 x H 74	5.550
		L 280 x W 100x H 74	5.750
table top:		L 300 x W 90 x H 74	5.950
oak	●	L 300 x W 100x H 74	6.200
MATERIALS		* luminous orange surcharge	400
oiled oak			
powder coated steel			

MADE TO ORDER

In addition to the standard colours and sizes of the collection, custom forms and individual colours can also be manufactured.

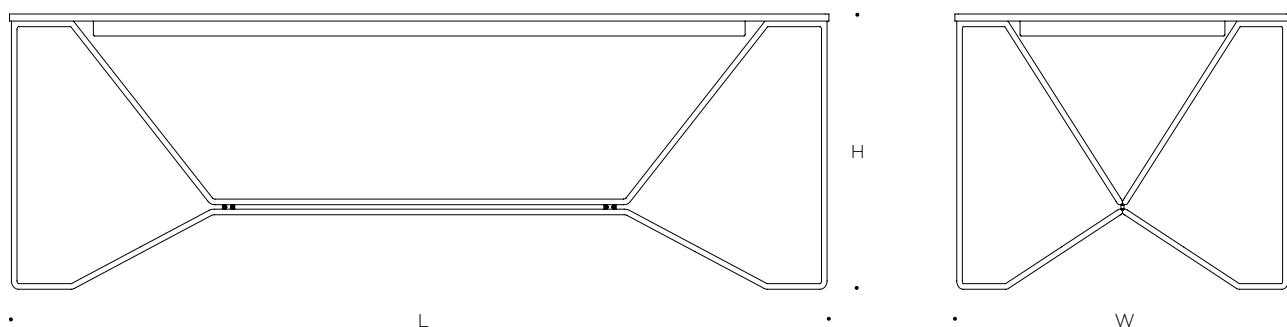
DELIVERY TIME

approx 8 - 12 weeks

SAME SAME

MARBLE, NERO MARINACE

Same same but different. Solid as a rock. Dining table and desk. The delicate steel frame is bent by hand. It consists of two identical parts that reflect each other and are only fastened at two points. The round steel is powder-coated. The tabletop is supported by a steel frame. Particular about the design and construction is that it looks very light but is extremely solid. Carrara marble stands out due to its clear and strong markings. The natural stone is polished matte and then impregnated for protection. Nevertheless, it is a sensitive surface and needs special care. The unusual stone Nero Marinace is classified as a granite. It is a riverbed that has petrified over thousands of years. Countless pebble stones of different size, shape and hue contrast with the even black background. Marinace is very hard and dense - even more than granite- and equally resistant. Designed and manufactured in Hamburg, Germany.



COLOURS

frame:		RAL
blood orange	●	2002
pink	●	3015
yellow	●	1016
off-white	●	7047
sage	●	6021
grass green	●	6024
dark green	●	6009
navy	●	5011
black	●	9005
luminous orange*	●	

table top:

Marble	●
Nero Marinace	●

MATERIALS

powder coated steel
carrara marble matt finished
nero marinace polished

MADE TO ORDER

In addition to the standard colours and sizes of the collection, custom forms and individual colours can also be manufactured.

DIMENSIONS

L 180 x W 80 x H 74 marble
L 200 x W 90 x H 74 marble
L 220 x W 90 x H 74 marble
L 240 x W 90 x H 74 marble
L 180 x W 80 x H 74 nero marinace
L 200 x W 90 x H 74 nero marinace
L 220 x W 90 x H 74 nero marinace

RRP INCL. VAT

4.700	
5.100	
5.400	
5.700	
5.800	
6.250	
6.500	
outdoor finish surcharge	300
* luminous orange surcharge	400

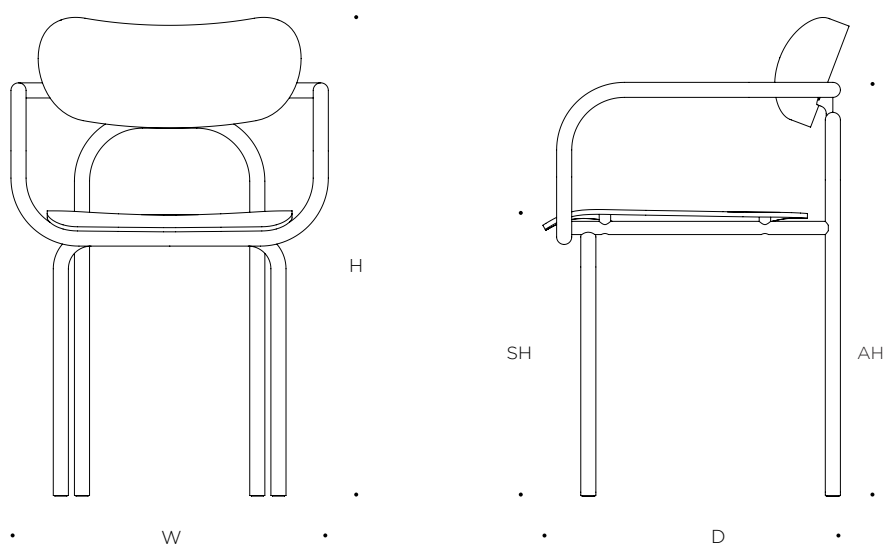
DELIVERY TIME

approx 6 - 8 weeks

DOUBLE U

ARM CHAIR

DOUBLE U resembles a light embrace. The chair's frame features a clear, organically curved line that encloses the body like a frame. It also gave the chair its name: the two pairs of legs, which are made of bent tubular steel, are shaped like upside-down Us, while the armrest forms a closed geometry behind the back section and under the seat shell. DOUBLE U's dynamic silhouette is full of verve and playful lightness; the monochrome colour scheme makes it look as if it has been cast from a single mould. By using pressed beech veneered with ash for the seat shell and backrest, VICTOR FOXTROT relies on local material from German forests. Thanks to the seven vibrant colours from the VICTOR FOXTROT range, the tubular steel chair blends into any interior. Whether as an eye-catching solitary chair, restrained in colour or as part of a colourful troupe - DOUBLE U convinces with durability, comfort and iconic aesthetics. Designed and manufactured in Hamburg, Germany.



COLOURS

blood orange	●	2002
pink	●	3015
yellow	●	1016
off-white	●	7047
ocean blue	●	5001
sage	●	6021
grass green	●	6024
dark green	●	6009
grey	●	7040
navy	●	5011
black	●	9005

RAL

DIMENSIONS

W 53 x D 51 x H 78
SH 46, AH 67

RRP INCL. VAT

850

MATERIALS

powder coated steel
beech veneer lacquered

MADE TO ORDER

In addition to the standard colours and sizes of the collection, custom forms and individual colours can also be manufactured.

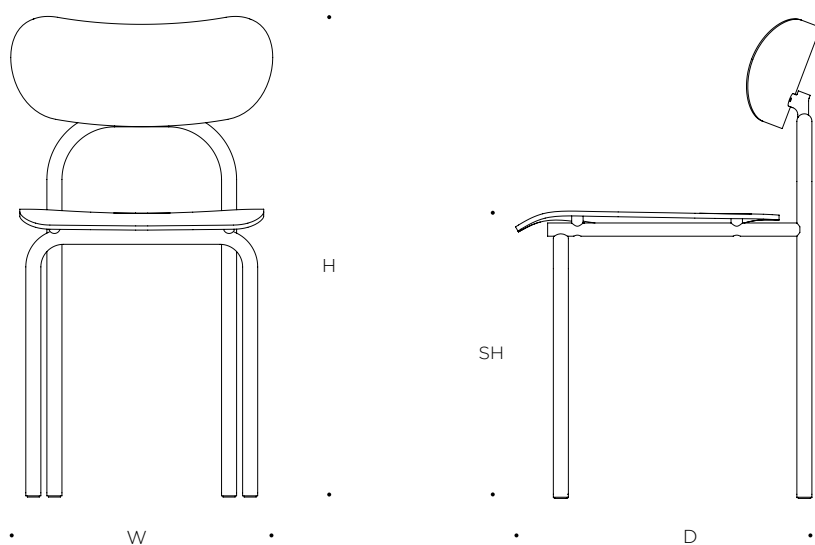
DELIVERY TIME

approx. 6 - 8 weeks

DOUBLE U

CHAIR

DOUBLE U resembles a light embrace. The chair's frame features a clear, organically curved line that encloses the body like a frame. It also gave the chair its name: the two pairs of legs, which are made of bent tubular steel, are shaped like upside-down Us, while the armrest forms a closed geometry behind the back section and under the seat shell. DOUBLE U's dynamic silhouette is full of verve and playful lightness; the monochrome colour scheme makes it look as if it has been cast from a single mould. By using pressed beech veneered with ash for the seat shell and backrest, VICTOR FOXTROT relies on local material from German forests. Thanks to the seven vibrant colours from the VICTOR FOXTROT range, the tubular steel chair blends into any interior. Whether as an eye-catching solitary chair, restrained in colour or as part of a colourful troupe - DOUBLE U convinces with durability, comfort and iconic aesthetics. Designed and manufactured in Hamburg, Germany.



COLOURS

blood orange	●	2002
pink	●	3015
yellow	●	1016
off-white	●	7047
ocean blue	●	5001
sage	●	6021
grass green	●	6024
dark green	●	6009
grey	●	7040
navy	●	5011
black	●	9005

RAL

DIMENSIONS

W 44 x D 51 x H 78
SH 46

RRP INCL. VAT

750

MATERIALS

powder coated steel
beech veneer lacquered

MADE TO ORDER

In addition to the standard colours and sizes of the collection, custom forms and individual colours can also be manufactured.

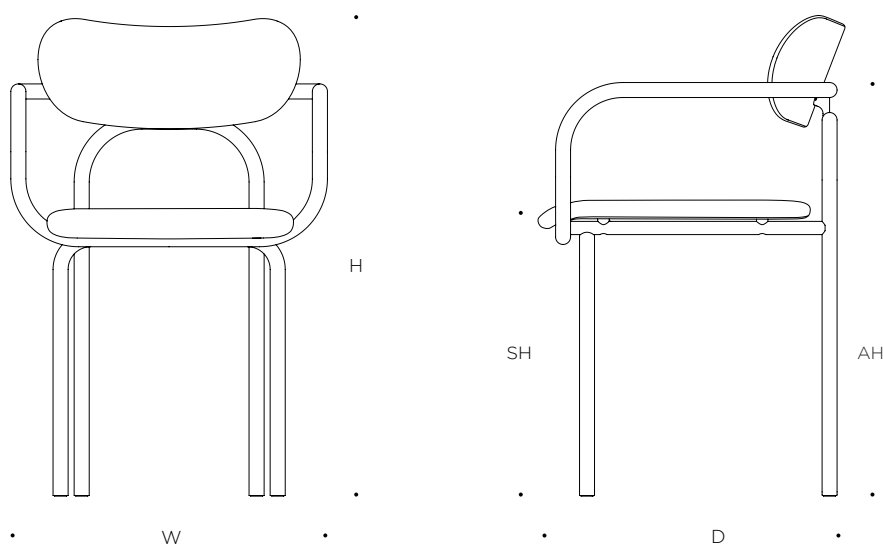
DELIVERY TIME

approx. 6 - 8 weeks

DOUBLE U

ARM CHAIR UPHOLSTERED

DOUBLE U resembles a light embrace. The chair's frame features a clear, organically curved line that encloses the body like a frame. The seat shell and backrest are crafted from pressed beech wood, padded, and upholstered with the wool bouclé VIDAR 4 by Raf Simons for Kvadrat. Beech is known for its immense tensile strength and enduring flexibility, making it ideal for the ergonomically curved seat and backrest shells. VICTOR FOXTROT relies on local material from German forests. The tubular steel chair blends into any interior. Whether as an eye-catching solitary chair, restrained in colour or as part of a colourful troupe - DOUBLE U convinces with durability, comfort and iconic aesthetics. Designed and manufactured in Hamburg, Germany.



COLOURS

		RAL	VIDAR
whisky	●	8001	472
blood orange	●	2002	542
pink	●	3015	622
yellow	●	1016	443
ocean blue	●	5001	733
grass green	●	6024	932
dark green	●	6009	972
grey	●	7040	133
navy	●	5011	554
black	●	9005	1880

DIMENSIONS

W 53 x D 51 x H 78
SH 46, AH 67

RRP INCL. VAT

1.150

MATERIALS

powder coated steel

fabric: Vidar 4 by Raf Simons for Kvadrat

MADE TO ORDER

In addition to the standard colours and sizes of the collection, custom forms and individual colours can also be manufactured.

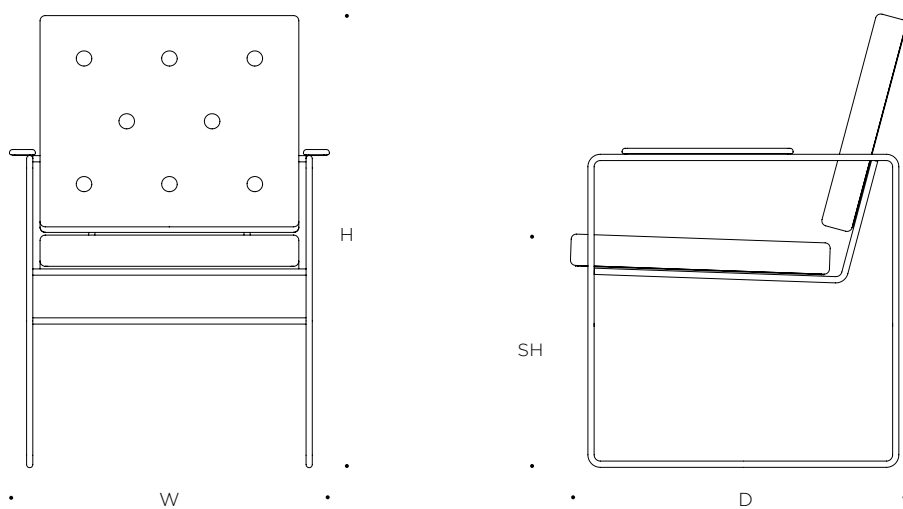
DELIVERY TIME

approx. 6 - 8 weeks

SWELL TIME

ARM CHAIR

Graphic and graceful - these are the characteristics of the members of the SWELL TIME family. A slender frame made of round steel bars becomes the basis for the precisely crafted upholstery elements made of wool bouclé or leather. The design puts contrasts in a dialogue: cool metal meets warm textures and soft surfaces. Every detail has been worked out to optimally fulfil its function, but also to ensure a homogeneous overall appearance. Textile-covered, deliberately discreet armrests seem to balance on the round steel, while the narrow and comfortable seat and back cushions are fixed on just three cross struts. Hidden among all the clear lines is a stylistic nod to lounge history: the button-stitching is a style homage to the British Chesterfield armchairs, the archetype of the club chair. VICTOR FOXTROT has interpreted the classic in a contemporary way, and the result is just as cosy. Designed and manufactured in Hamburg, Germany.



COLOURS

		RAL	VIDAR
whisky	●	8001	472
blood orange	●	2002	542
pink	●	3015	622
yellow	●	1016	443
ocean blue	●	5001	733
grass green	●	6024	932
dark green	●	6009	972
grey	●	7040	133
navy	●	5011	554
black	●	9005	1880

leather:

natural	●
black	●

MATERIALS

powder coated steel

fabric: Vidar 4 by Raf Simons for Kvadrat

leather: vegetable tanned

MADE TO ORDER

In addition to the standard colours and sizes of the collection, custom forms and individual colours can also be manufactured.

DIMENSIONS

W 62 x D 60 x H 87

SH 44

with leather

RRP INCL. VAT

2.200

price on request

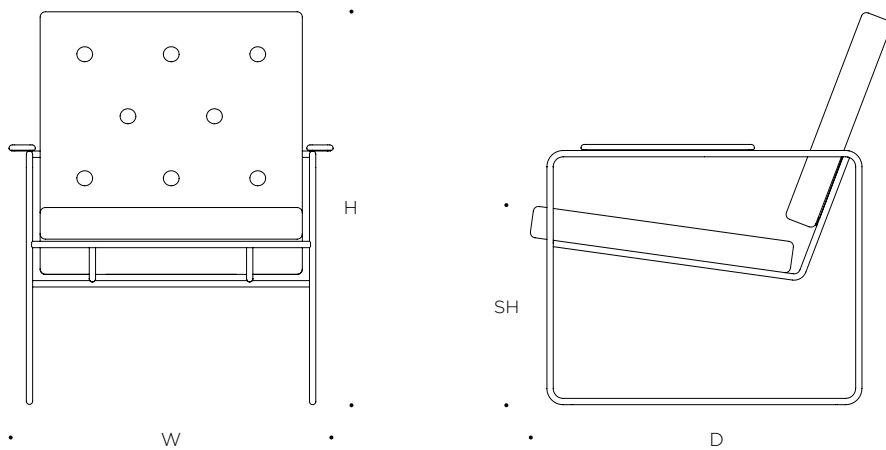
DELIVERY TIME

approx. 6 - 8 weeks

SWELL TIME

LOUNGE CHAIR

Graphic and graceful - these are the characteristics of the members of the SWELL TIME family. A slender frame made of round steel bars becomes the basis for the precisely crafted upholstery elements made of wool bouclé or leather. The design puts contrasts in a dialogue: cool metal meets warm textures and soft surfaces. Every detail has been worked out to optimally fulfil its function, but also to ensure a homogeneous overall appearance. Textile-covered, deliberately discreet armrests seem to balance on the round steel, while the narrow and comfortable seat and back cushions are fixed on just three cross struts. Hidden among all the clear lines is a stylistic nod to lounge history: the button-stitching is a style homage to the British Chesterfield armchairs, the archetype of the club chair. VICTOR FOXTROT has interpreted the classic in a contemporary way, and the result is just as cosy. Designed and manufactured in Hamburg, Germany.



COLOURS

		RAL	VIDAR
whisky	●	8001	472
blood orange	●	2002	542
pink	●	3015	622
yellow	●	1016	443
ocean blue	●	5001	733
grass green	●	6024	932
dark green	●	6009	972
grey	●	7040	133
navy	●	5011	554
black	●	9005	1880

leather:

natural	●
black	●

MATERIALIEN

powder coated steel

fabric: Vidar 4 by Raf Simons for Kvadrat

leather: vegetable tanned

MADE TO ORDER

In addition to the standard colours and sizes of the collection, custom forms and individual colours can also be manufactured.

DIMENSIONS

W 62 x D 67 x H 76

SH 40/33

with leather

RRP INCL. VAT

2.200

price on request

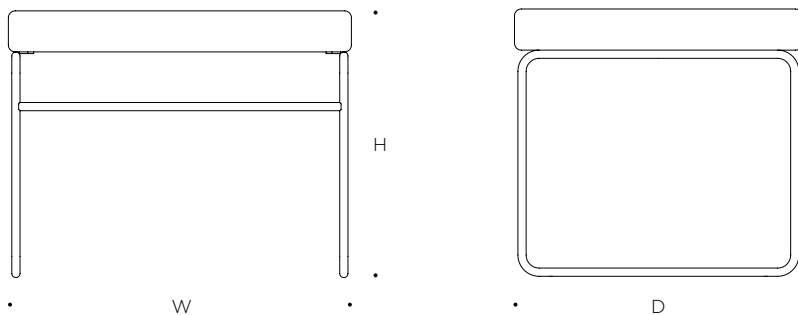
DELIVERY TIME

approx. 6 - 8 weeks

SWELL TIME

OTTOMAN

Graphic and graceful - these are the characteristics of the members of the SWELL TIME family. A slender frame made of round steel bars becomes the basis for the precisely crafted upholstery elements made of wool bouclé or leather. The design puts contrasts in a dialogue: cool metal meets warm textures and soft surfaces. Every detail has been worked out to optimally fulfil its function, but also to ensure a homogeneous overall appearance. Textile-covered, deliberately discreet armrests seem to balance on the round steel, while the narrow and comfortable seat and back cushions are fixed on just three cross struts. Hidden among all the clear lines is a stylistic nod to lounge history: the button-stitching is a style homage to the British Chesterfield armchairs, the archetype of the club chair. VICTOR FOXTROT has interpreted the classic in a contemporary way, and the result is just as cosy. Designed and Manufactured in Hamburg, Germany.



COLOURS

		RAL	VIDAR
whisky	●	8001	472
blood orange	●	2002	542
pink	●	3015	622
yellow	●	1016	443
ocean blue	●	5001	733
grass green	●	6024	932
dark green	●	6009	972
grey	●	7040	133
navy	●	5011	554
black	●	9005	1880

leather:

natural	●
black	●

MATERIALS

powder coated steel

fabric: Vidar 4 by Raf Simons for Kvadrat

leather: vegetable tanned

MADE TO ORDER

In addition to the standard colours and sizes of the collection, custom forms and individual colours can also be manufactured.

DIMENSIONS

W 50 x D 42 x H 40
with leather

RRP INCL. VAT

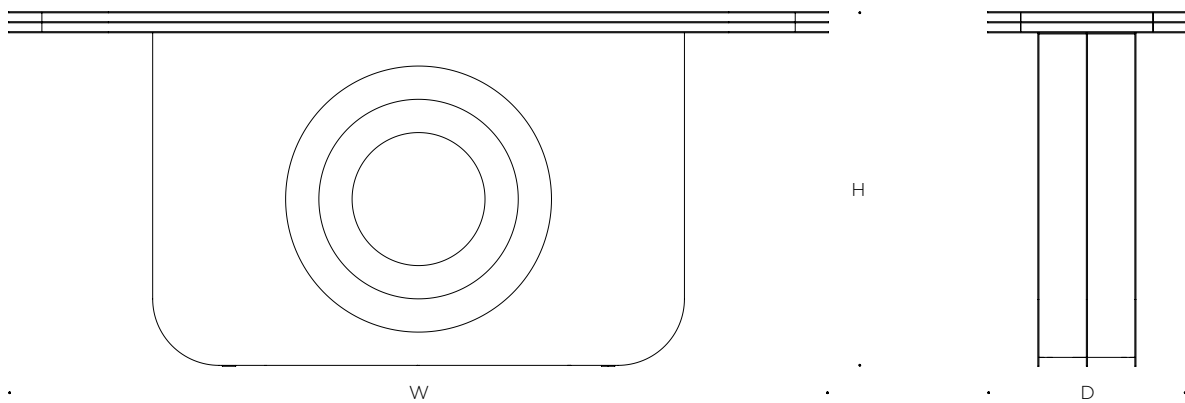
1.100
price on request

DELIVERY TIME

approx. 6 - 8 weeks

MY AMI

With a height of 80 centimeters, depth of 45 centimeters, and a length of 185 centimeters, MY AMI offers a spacious display area. The design of the sideboard plays with a slim and light silhouette, utilizing powder-coated steel as the material. The top and base form a distinct T-profile when viewed from the side, while the frontal view combines the soft shapes of ovals, circles, and rounded squares. However, what truly characterizes MY AMI are its clear colors. Several variants in harmonious triads are available. The color assumes a key design function: both the top and base consist of three layers, with the base revealing gradually smaller circular cutouts towards the back. The plates stack seamlessly on top of each other and appear to float, thanks to the hidden profile struts. This interplay of layers creates visual depth and makes the furniture appear different from every angle. Designed and manufactured in Hamburg, Germany.



COLOURS

yellow, pink, blood orange
dark green, reseda green, sage
ocean blue, capri blue, sky blue

	RAL
● ● ●	1016, 3015, 2002
● ● ●	6009, 6011, 6021
● ● ●	5001, 5019, 5012

DIMENSIONS

W 1850 x D 450 x H 800

RRP INCL. VAT

5.500

MATERIALS

powder coated steel

MADE TO ORDER

In addition to the standard colours and sizes of the collection, custom forms and individual colours can also be manufactured.

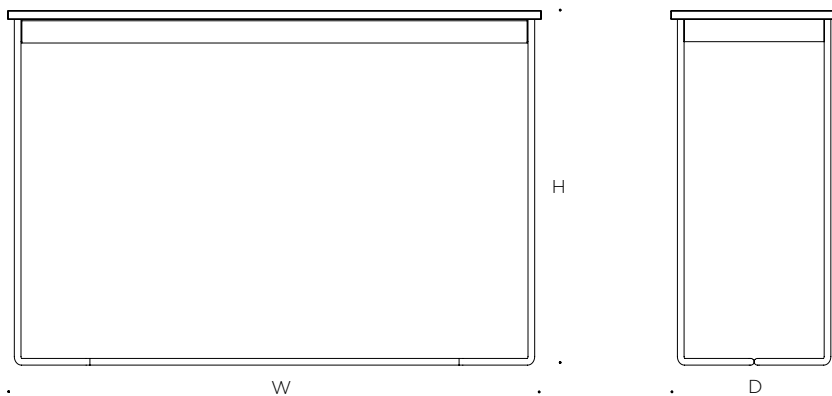
DELIVERY TIME

approx. 6 - 8 weeks

POI

CONSOLE

As part of the POI family, this slim console serves as a shelf in the entrance area, bedroom, or living room. The base consists of two hand-bent elements made of round steel, which are mirroredly mounted and then welded together. Small items that shouldn't be lying around can be hidden in the integrated drawer. To ensure stability, the POI console is attached to the wall at two invisible points. Designed and manufactured in Hamburg, Germany.



COLOURS

frame:

blood orange	●	2002
pink	●	3015
yellow	●	1016
off-white	●	7047
sage	●	6021
grass green	●	6024
dark green	●	6009
grey	●	7040
navy	●	5011
black	●	9005
luminous orange*	●	

table top:

carrara	●
verde veria	●

MATERIALS

powder coated steel
carrara marmor matt finished
verde veria marble polished

MADE TO ORDER

In addition to the standard colours and sizes of the collection, custom forms and individual colours can also be manufactured.

DIMENSIONS

W 120 x D 37,5 x H 80 carrara
W 120 x D 37,5 x H 80 verde veria

drawer dimensions:
W 90 x D 31 x H 4,5

* luminous orange surcharge

RRP INCL. VAT

2.350
3.500

150

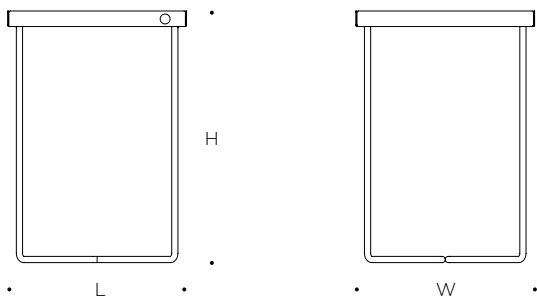
DELIVERY TIME

approx. 6 - 8 weeks

POI TABLE

MINI

As part of the POI family, these slim side tables double as helpful assistants everywhere in the house. By the bed they serve as a bedside table, by the sofa as a coffee table and in the hallway as a shelf. There is a suitable variant for every place of use, with different heights, two different widths and trays made of either folded steel or natural stone plates – which can easily be combined with each other. The base consists of two hand-bent frame elements made of round steel bars, which are assembled mirrored and then welded together. Each POI Table is numbered and unique: even the first one produced received a small brass plaque as a counting mark – reminiscent of the analogue times of archiving. Designed and manufactured in Hamburg, Germany.



COLOURS

		RAL
whisky	●	8001
blood orange	●	2002
pink	●	3015
yellow	●	1016
off-white	●	7047
ocean blue	●	5001
sage	●	6021
grass green	●	6024
dark green	●	6009
grey	●	7040
navy	●	5011
black	●	9005

MATERIALS

powder coated steel

MADE TO ORDER

In addition to the standard colours and sizes of the collection, custom forms and individual colours can also be manufactured.

DIMENSIONS

L 34,5 x W 34,5 x H 49

RRP INCL. VAT

390

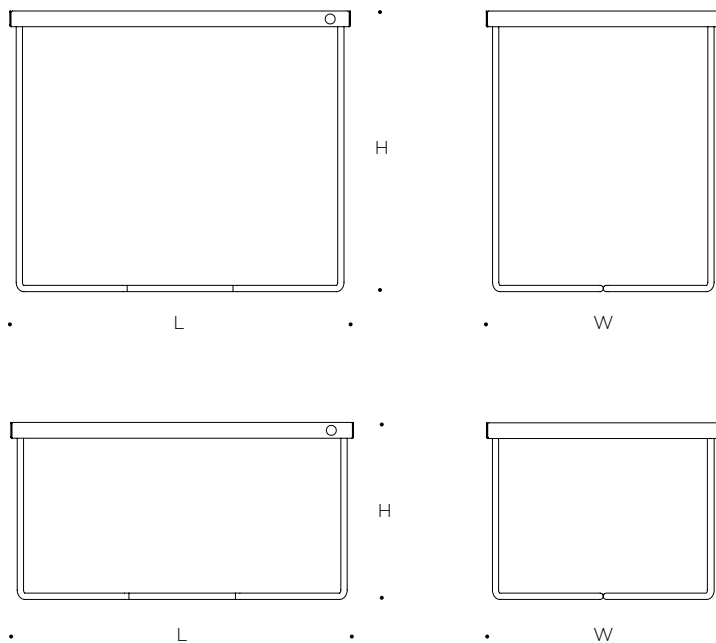
DELIVERY TIME

approx. 4 - 6 weeks

POI TABLE

SINGLE, SINGLE LOW

As part of the POI family, these slim side tables double as helpful assistants everywhere in the house. By the bed they serve as a bedside table, by the sofa as a coffee table and in the hallway as a shelf. There is a suitable variant for every place of use, with different heights, two different widths and trays made of either folded steel or natural stone plates – which can easily be combined with each other. The base consists of two hand-bent frame elements made of round steel bars, which are assembled mirrored and then welded together. Each POI Table is numbered and unique: even the first one produced received a small brass plaque as a counting mark – reminiscent of the analogue times of archiving. Designed and manufactured in Hamburg, Germany.



COLOURS

COLOURS		RAL
whisky	●	8001
blood orange	●	2002
pink	●	3015
yellow	●	1016
off-white	●	7047
ocean blue	●	5001
sage	●	6021
grass green	●	6024
dark green	●	6009
grey	●	7040
navy	●	5011
black	●	9005

DIMENSIONS

L 65 x W 45 x H 54
L 65 x W 45 x H 34 Low

RRP INCL. VAT

490
490

MATERIALS

powder coated steel

MADE TO ORDER

In addition to the standard colours and sizes of the collection, custom forms and individual colours can also be manufactured.

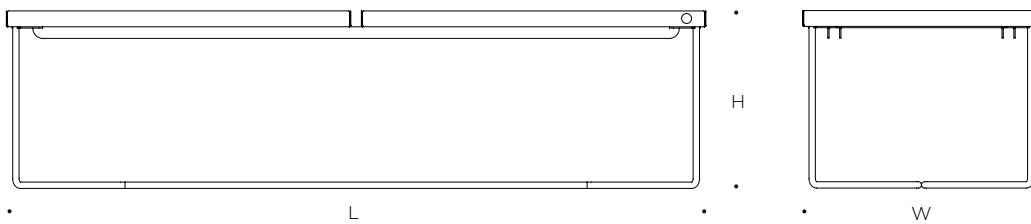
DELIVERY TIME

approx. 4 - 6 weeks

POI TABLE

DOUBLE

As part of the POI family, these slim side tables double as helpful assistants everywhere in the house. By the bed they serve as a bedside table, by the sofa as a coffee table and in the hallway as a shelf. There is a suitable variant for every place of use, with different heights, two different widths and trays made of either folded steel or natural stone plates – which can easily be combined with each other. The base consists of two hand-bent frame elements made of round steel bars, which are assembled mirrored and then welded together. Each POI Table is numbered and unique: even the first one produced received a small brass plaque as a counting mark – reminiscent of the analogue times of archiving. Designed and manufactured in Hamburg, Germany.



COLOURS

		RAL
pink, blood orange	● ●	3015, 2002
off-white	●	7047
ocean blue	●	5001
sage, dark green	● ●	6021, 6009
dark green	●	6009
grey	●	7040
navy	●	5011
black	●	9005

DIMENSIONS

L 132 x W 45 x H 34

RRP INCL. VAT

850

MATERIALS

powder coated steel

MADE TO ORDER

In addition to the standard colours and sizes of the collection, custom forms and individual colours can also be manufactured.

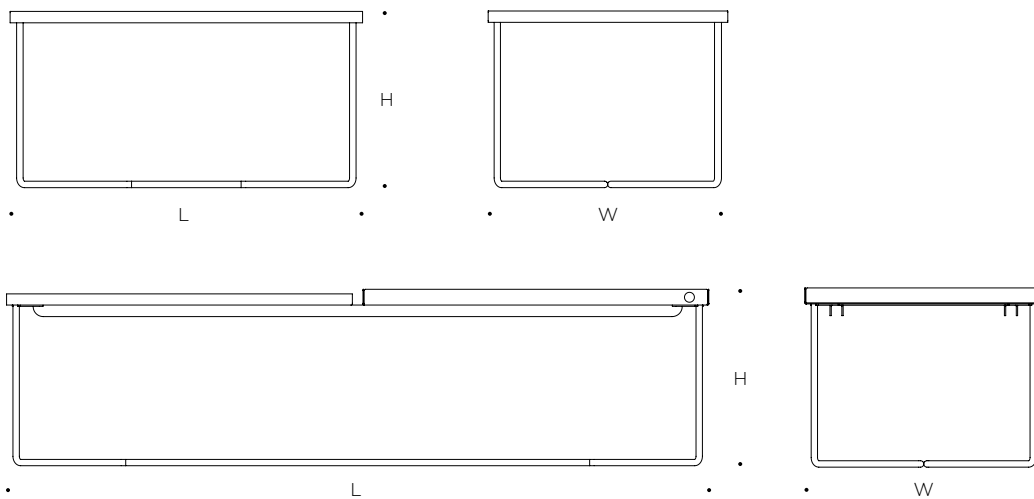
DELIVERY TIME

approx 4 - 6 weeks

POI TABLE

MARBLE, NERO MARINACE

As part of the POI family, these slim side tables double as helpful assistants everywhere in the house. By the bed they serve as a bedside table, by the sofa as a coffee table and in the hallway as a shelf. There is a suitable variant for every place of use, with different heights, two different widths and trays made of either folded steel or natural stone plates – which can easily be combined with each other. The base consists of two hand-bent frame elements made of round steel bars, which are assembled mirrored and then welded together. The Carrara Marble or Nero Marinace finish provides an exciting contrast to the filigree metal frame. Both tabletop versions are invisibly attached to the frame. Designed and manufactured in Hamburg, Germany.



COLOURS

frame:

off-white



7047

grey



7040

black



9005

luminous orange*



table top:

marble



nero marinace



RAL

DIMENSIONS

L 65 x W 45 x H 34 single marble

L 65 x W 45 x H 34 single nero marinace

L 132 x W 45 x H 34 double marble

L 132 x W 45 x H 34 double nero marinace

RRP INCL. VAT

1.200

1.600

1.500

1.900

* luminous orange surcharge (similar to RAL 2005)

150

MATERIALS

powder coated steel

carrara marble, matt finish

nero marinace polished

MADE TO ORDER

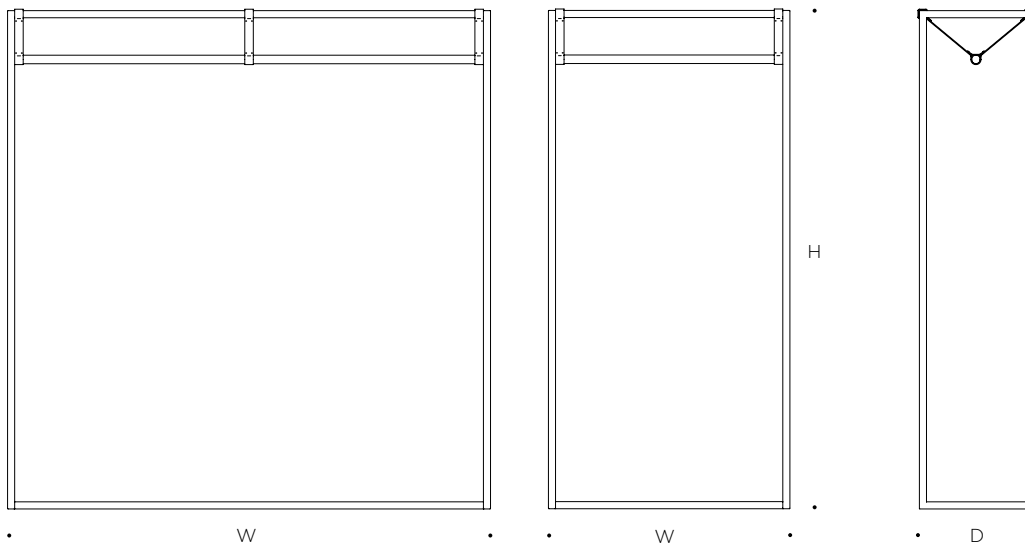
In addition to the standard colours and sizes of the collection, custom forms and individual colours can also be manufactured.

DELIVERY TIME

approx. 6 - 8 weeks

LESS MESS

LESS MESS doesn't hide clothes behind doors but showcases them openly in the room. As its name suggests, the wardrobe strives to maintain order and limit chaos. LESS MESS combines the functions of a clothes rail and wardrobe and puts the clothes in a three-dimensional frame. Metal bars, arranged strictly at right angles, contrast deliberately with soft leather straps that suspend the brass clothes rail. The slim silhouette also benefits those who move house frequently. Six powder-coated square tubes form the basic construction of this piece. Screwed together, they are so robust and resilient that they can become companions for life. Over time, the brass and leather elements develop a soft tarnish, contributing to the ever-changing individual character of LESS MESS. Designed and manufactured in Hamburg, Germany.



COLOURS

pink	●	3015
off-white	●	7047
sage	●	6021
dark green	●	6009
grey	●	7040
navy	●	5011
black	●	9005

MATERIALS

powder coated steel
polished brass
vegetable tanned leather, cognac

MADE TO ORDER

In addition to the standard colours and sizes of the collection, custom forms and individual colours can also be manufactured.

DIMENSIONS

W 170 x D 40 x H 175
W 85 x D 40 x H 175

RRP INCL. VAT

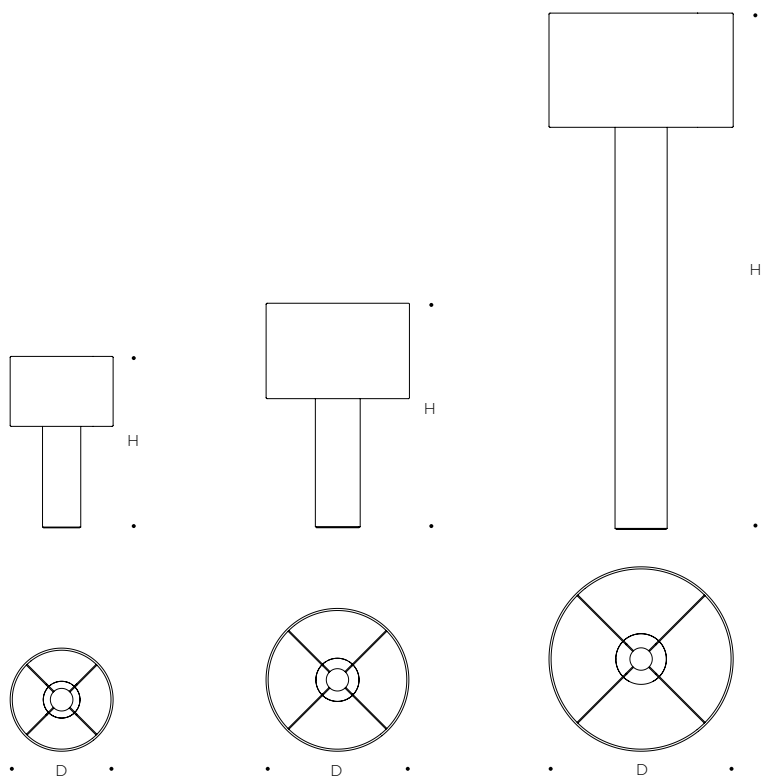
1.550
1.350

DELIVERY TIME

approx. 4 - 6 weeks

ALL ROUND

In terms of colour, the entire family of lamps relies on monochrome consistency: red in red or yellow in yellow, the ALL ROUND floor and table lamps appear to be cast from a single mould. Touching them allows you to experience tactile contrasts between warm and cool, soft and hard. The lampshade is covered with woolen fabric, while the cable is lagged in textile. The base comprises a powder-coated steel tube and hides a stabilising weight, eliminating the need for a pedestal. The shade is clad in matt gold foil on the inside, helping ALL ROUND to create a soft and cosy atmosphere. With its sculptural shape, ALL ROUND brings personality into any room, whether standing solo or by the sofa, or as a smaller version on a desk, windowsill or sideboard. Designed and manufactured in Hamburg, Germany.



COLOURS

		RAL	VIDAR
whisky	●	8001	472
blood orange	●	2002	542
pink	●	3015	622
yellow	●	1016	443
ocean blue	●	5001	733
grass green	●	6024	932
dark green	●	6009	972
grey	●	7040	133
navy	●	5011	554
black	●	9005	1880

DIMENSIONS

H 45 x Ø 27 mini
H 60 x Ø 38 midi
H 138 x Ø 50 tall

RRP INCL. VAT

790
850
1.450

MATERIALS

powder coated steel

Vidar 4 by Raf Simons for Kvadrat

fabric cable, light switcher is located at the socket

MADE TO ORDER

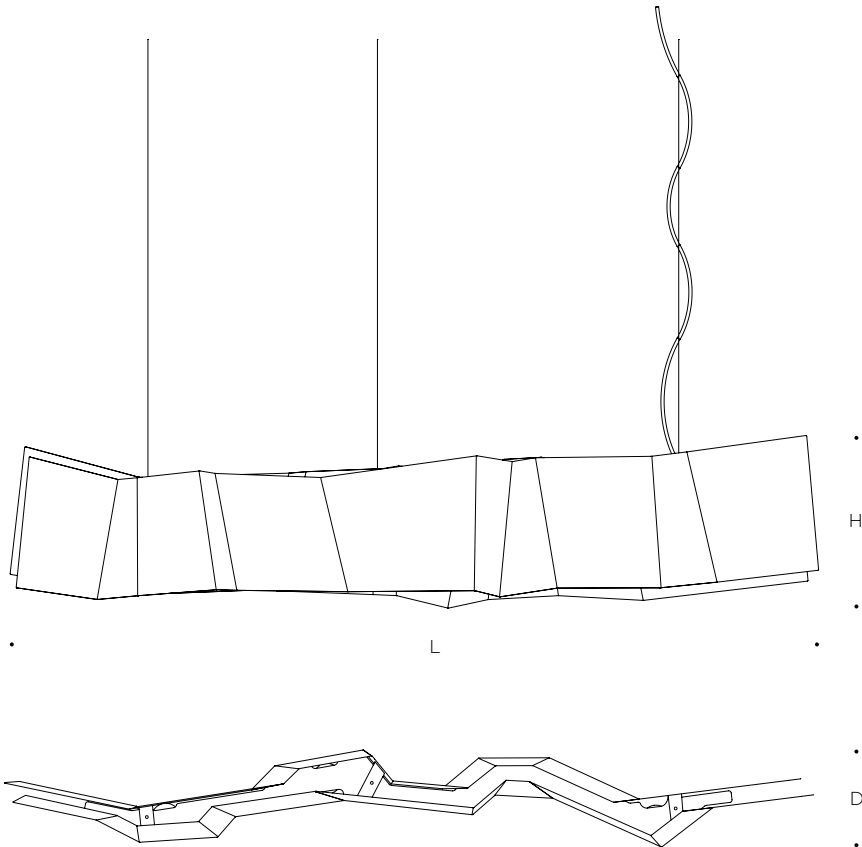
In addition to the standard colours and sizes of the collection, custom forms and individual colours can also be manufactured.

DELIVERY TIME

approx. 1 - 2 weeks

ZIG ZAG

ZIG ZAG creates a special lighting atmosphere that fits well above the dining table and bar. Its sculptured body is reminiscent of unfolded paper with sharp creases, creating a geometric play of shadows on its surface. ZIG ZAG's second quality is the light itself. The ingenious way it was constructed ensures that the surface underneath will be evenly illuminated with warm white light. The two cheeks of the corpus, on the other hand, create a clear boundary for the light, preventing people who sit at the table from being dazzled and pleasantly placing their faces in a half-shadow. Upwards to the ceiling, ZIG ZAG indirectly diffuses light that looks like warm candlelight. It's a precisely dosed lighting climate that creates a good atmosphere in all kinds of places. Be it a dining room, restaurant or bar, a conference room, a hotel lobby or above a sideboard. Designed and manufactured in Hamburg, Germany.



COLOUR		RAL	DIMENSIONS	RRP INCL. VAT
white	○	9016	L 185 x D 25 x H 45	1.950
black	●	9005	L 280 x D 40 x H 55	3.900

MATERIALIEN

steel, aluminium

TECHNICAL SPECIFICATIONS

230 volt, secondary 37 volt, including ballast
4 x 6 W LED, 2500 lm, 2700 K, CRI 90

MADE TO ORDER

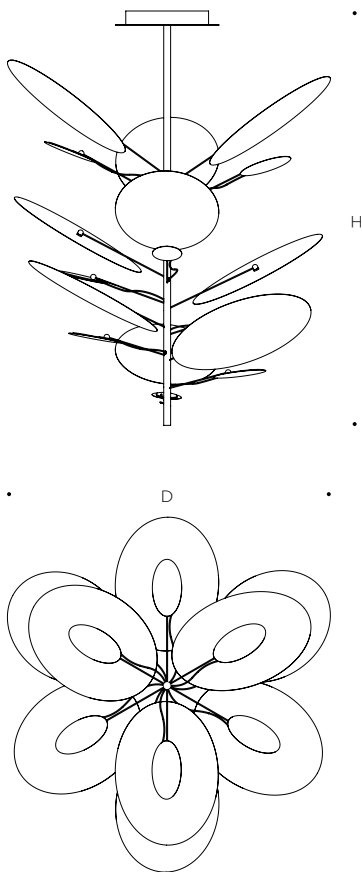
In addition to the standard colours and sizes of the collection, custom forms and individual colours can also be manufactured.

DELIVERY TIME

approx. 6 - 8 weeks

LEAF IT

This pendant lamp takes inspiration from Honesty, an old-fashioned cottage garden plant (also known as Silver Dollar or Money Plant) whose branches are often dried and put in vases due to their delicate, opaque leaves and their ethereal, almost fairy-like appearance. LEAF IT adopts the plant's branched structure and uses the upward-pointing leaves as reflectors that indirectly illuminate the room. Under each oval leaf, a smaller one shields the LEDs. As an organic light sculpture, LEAF IT invites interaction: Each reflector can be rotated to adapt the silhouette and light focus according to the mood. Due to its height of 120 centimetres and its diameter of 100 centimetres, a ceiling height of at least 3.20 metres is recommended. Each luminaire is made to order, so custom designs can also be realised. Designed and manufactured in Hamburg, Germany.



COLOURS

white, luminous orange ○ ●
black, gold ● ●

DIMENSIONS

H 120 x Ø 100
H 120 x Ø 100 black, gold

RRP INCL. VAT

3.250
price on request

MATERIALS

aluminium, steel, textile cable

TECHNICAL SPECIFICATIONS

230 volt, secondary 35 volt, including ballast
9 x 6,5 W LED, 7200 lm, 2700 K, CRI 90

MADE TO ORDER

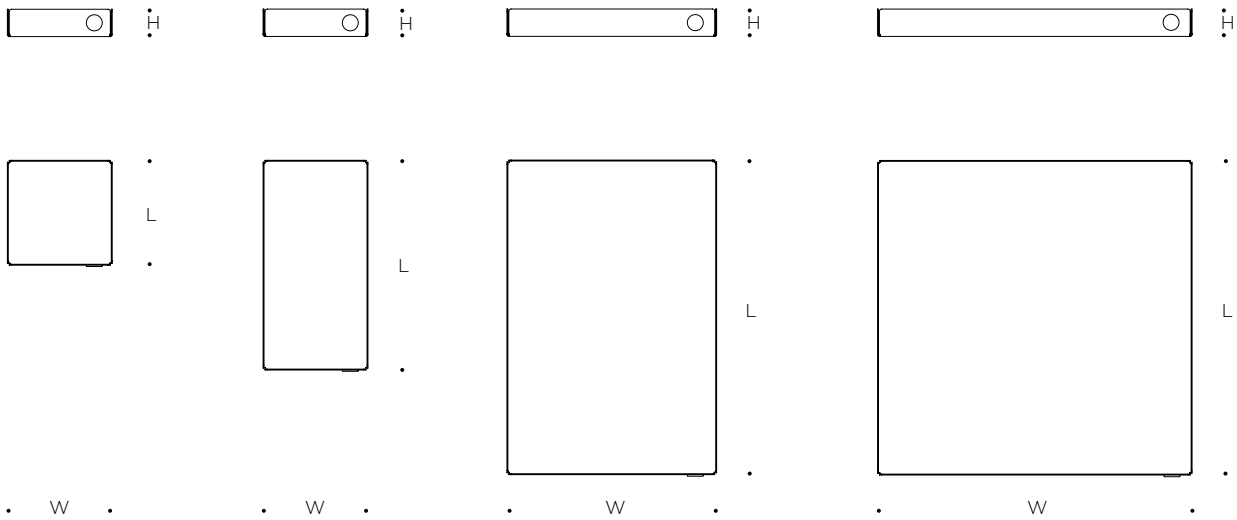
In addition to the standard colours and sizes of the collection, custom forms and individual colours can also be manufactured.

DELIVERY TIME

approx. 8 - 12 weeks

POI

Many people can't do without their "fixed spot" in the house. It's part of everyday organisation: a place where keys, glasses or mobile phones can be reliably found. VICTOR FOXTROT has dedicated a small product line to this routine. Point of Interest is the name of the small trays made of thin, folded steel, which are available in four different sizes. With POI, everything finds its suitable little box, whether it's jewellery, a handful of paper clips, papers or a tangle of unravelled cables. The POIs can be arranged next to each other, combined with each other. Each POI tray is numbered and unique: even the first tray produced received a small brass plaque as a counting mark - reminiscent of the analogue times of archiving. The sorting assistants are available in eleven shades and can also be fitted with a soft insert made of vegetable-tanned leather. Designed and manufactured in Hamburg, Germany.



COLOURS

		RAL
whisky	●	8001
blood orange	●	2002
pink	●	3015
yellow	●	1016
off-white	●	7047
dove blue	●	5014
ocean blue	●	5001
sage	●	6021
grass green	●	6024
dark green	●	6009
navy	●	5011
black	●	9005

DIMENSIONS

S:	L 11,5 x W 11,5 x H 3
M:	L 23 x W 11,5 x H 3
L:	L 34,5 x W 23 x H 3
XL:	L 34,5 x W 34,5x H 3

RRP INCL. VAT

65
75
85
95

MATERIALS

powder coated steel

MADE TO ORDER

In addition to the standard colours and sizes of the collection, custom forms and individual colours can also be manufactured.

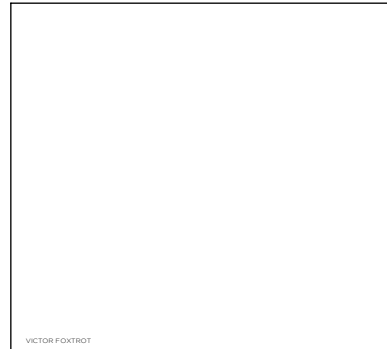
DELIVERY TIME

approx. 3 - 5 days

POI

LEATHER INLAYS

Every POI tray size has a matching inlay made of vegetable tanned leather. The leather inlays come in 4mm high and with a VICTOR FOXTROT embossing. Designed and manufactured in Hamburg, Germany.



S

M

L

XL, POI TABLE MINI

COLOURS

blood orange	●
pink	●
dark green	●
black	●

DIMENSIONS

S:	L 11	x	W 11
M:	L 22,5	x	W 11
L:	L 34	x	W 22,5
XL:	L 34	x	W 34

RRP INCL. VAT

35
45
75
95

MATERIALS

leather vegetable tanned

MADE TO ORDER

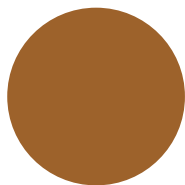
In addition to the standard colours and sizes of the collection, custom forms and individual colours can also be manufactured.

DELIVERY TIME

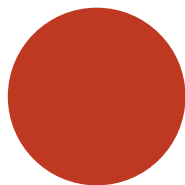
approx. 3 - 5 days

COLOURS AND SURFACES

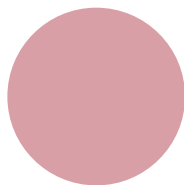
POWDER COATED STEEL



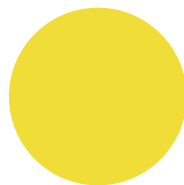
whisky
RAL 8001



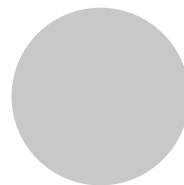
blood orange
RAL 2002



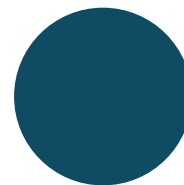
pink
RAL 3015



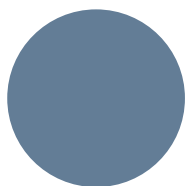
yellow
RAL 1016



off-white
RAL 7047



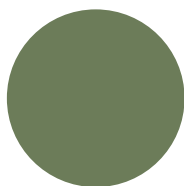
ocean blue
RAL 5001



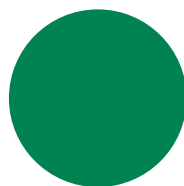
dove blue
RAL 5014



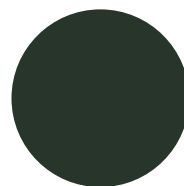
sage
RAL 6021



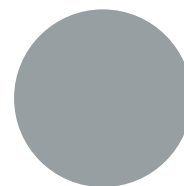
reseda green
RAL 6011



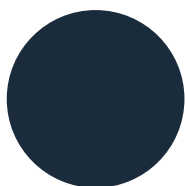
grass green
RAL 6024



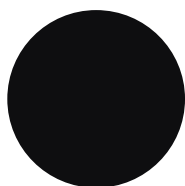
dark green
RAL 6009



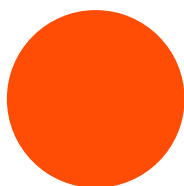
grey
RAL 7040



navy
RAL 5011



black
RAL 9005

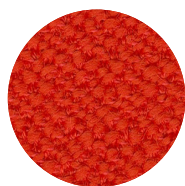


luminous orange
similar to RAL 2005

FABRIC VIDAR 4 BY RAF SIMONS FOR KVADRAT



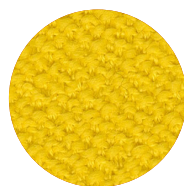
whisky
472



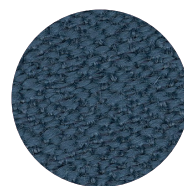
blood orange
542



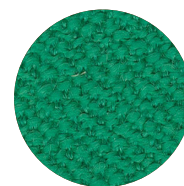
pink
622



yellow
443



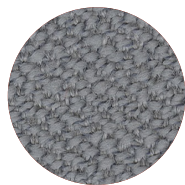
ocean blue
733



grass green
932



dark green
972



grey
133



navy
554



black
1880

COLOURS AND SURFACES

LEATHER FURNITURE

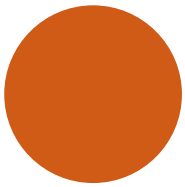


natural

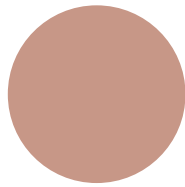


black

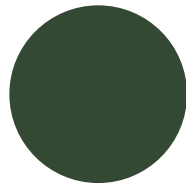
LEATHER INLAYS



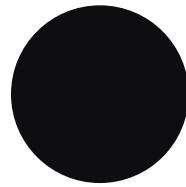
blood orange



pink

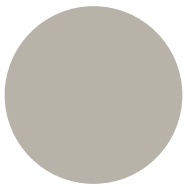


dark green

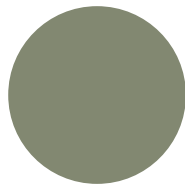


black

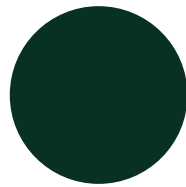
LINOLEUM FORBO FURNITURE



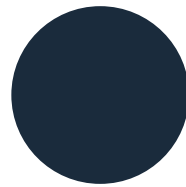
grey
4175
MDF grey



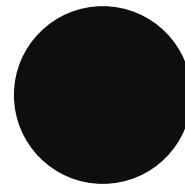
sage
4184
MDF grey



dark green
4174
MDF black



navy
4179
MDF black



black
4023
MDF black

WOOD

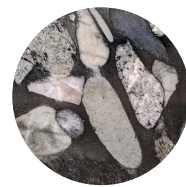


oak

STONE



marble



nero marinace



verde veria
marble

CONTACT

VICTOR FOXTROT GmbH Co. KG
Wichmannstrasse 4 | Haus 12
22607 Hamburg
Germany

T +49 40 79 69 73 47
mail@victorfoxtrot.de
www.victorfoxtrot.de
@victor_foxtrot

Managing Directors: Florian Vogel, Carolin Kreidel
Commercial Register: Local court Hamburg HRA 126 326
VAT ID No: DE 335374687